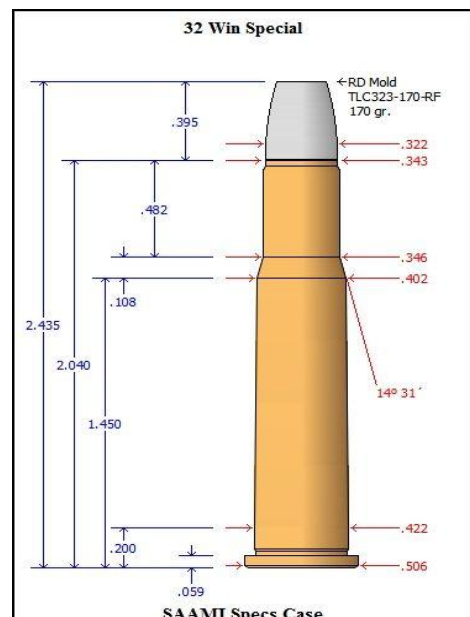


Ranch Dog's Load Notes
Property of Ranch Dog Outdoors

Powder	Max Grains	Case Density (%)	Velocity FPS	Pmax (k)
SF-033 fl	31.5	94	2244	38.7
Nitrochemie A/S 0300	30.1	89	2231	38.7
Hodgdon BL-C2	36.2	101	2224	38.7
Winchester 748	34.5	98	2215	38.7
IMR 3031	32.2	105	2212	36.5
Norma 202	33.3	103	2211	38.7
IMR 4895	34.5	105	2210	38.0
Hodgdon H4895	33.4	102	2203	38.7
Hodgdon H335	33.1	92	2203	38.7
SNPE Vectan SP 10	32.1	92	2200	38.7
Vihtavuori N540	34.8	105	2200	38.4
ADI AR 2219	31.0	92	2200	38.7
Hodgdon H322	31.0	97	2200	38.7
Lovex-D0832	33.9	98	2200	38.7
Somchem S321	34.4	97	2199	38.7
PB Clermont PCL 508	32.2	92	2199	38.7
Alliant Reloder-10x	29.4	95	2196	38.7
Ramshot X-Terminator	31.5	90	2196	38.7
ADI AR 2206H	33.4	102	2191	38.7
Ramshot TAC	33.7	96	2191	38.7
PB Clermont PCL 507	33.8	99	2191	38.7
Norma 200	29.4	86	2189	38.7
Bofors RP1/NP	29.4	86	2189	38.7
Accurate 2015	30.9	97	2188	38.7
Vihtavuori N140	33.8	105	2186	38.7
Vihtavuori N530	32.2	97	2182	38.7
Norma 201	33.2	99	2181	38.7
SNPE Vectan SP 9	34.7	102	2180	38.7
Raufoss RA11	34.5	105	2179	37.3
Bofors RP11	34.5	105	2179	37.3
Alliant Reloder-15	34.5	105	2179	37.3
Alliant Reloder-12	32.4	97	2176	38.7
Accurate 2230	33.3	95	2174	38.7
ADI AR 2207	27.1	88	2169	38.7
Norma 203B	34.5	105	2168	36.3
Rottweil R902	33.2	105	2167	38.3
Somchem S341	35.6	101	2162	38.7
PB Clermont PCL 516	35.8	102	2160	38.7
Somchem S335	32.6	101	2153	38.7
Vihtavuori N133	30.9	103	2151	38.7
IMR 4198	27.0	92	2146	38.7
Alliant Reloder-17	36.1	105	2146	38.1
Lovex-S0621	33.5	105	2144	35.9
Vihtavuori N130	29.6	96	2144	38.7

Notes for Ranch Dog's use only! Any other use is at your own risk!	
Original: 02/20/10	
TLC323-170-RF	
32 Win Spl	
Marlin 336RC	
20"	
OAL = 2.565" MIN	
Load Selection	
Alloy:	
Lyman #2 clone	
Water Quenched	
Case Density	
Max: 105%	
Min: 86%	
Pressure	
Read Pressure_Notes.PDF!	
44.2K Pmax	
38.7K NMP	
Velocity	
Maximum to Max -10%	
No other loads considered!	



Ranch Dog 's Load Notes
Property of Ranch Dog Outdoors

Powder	Max Grains	Case Density (%)	Velocity FPS	Pmax (k)
ADI AR 2210	30.9	91	2142	38.7
Lovex-D0733	32.4	93	2141	38.7
Alliant Reloder- 7	27.7	87	2140	38.7
Vihtavuori N120	27.1	91	2135	38.7
Accurate 2200	29.3	88	2133	38.7
Lovex-D0731	32.3	92	2132	38.7
Kazan Sunar 308W	29.4	92	2132	38.7
ADI BM2	31.0	89	2131	38.7
Hodgdon Benchmark	31.2	96	2130	38.7
IMR 4320	33.9	105	2130	37.5
ADI AR 2208	33.5	105	2126	37.5
Hodgdon VARGET	33.3	105	2118	37.1
Lovex-S0601	31.7	99	2114	38.7
Ramshot BigGame	35.6	105	2111	34.6
ADI AR 2206	31.9	98	2108	38.7
SNPE Vectan SP 11	35.6	105	2106	34.4
Hodgdon H4198	27.0	88	2096	38.7
IMR 4064	32.6	105	2092	35.4
Vihtavuori N135	31.2	105	2034	29.6

Notes for Ranch Dog's use only! Any other use is at your own risk!
Original: 02/20/10
TLC323-170-RF
32 Win Spl
Marlin 336RC
20"
OAL = 2.565" MIN
Load Selection
Alloy:
Lyman #2 clone
Water Quenched
Case Density
Max: 105%
Min: 86%
Pressure
Read Pressure_Notes.PDF!
44.2K Pmax
38.7K NMP
Velocity
Maximum to Max -10%
No other loads considered!